

## MAIN FEATURES

- ❖ High output power
- ❖ Full band amplifier
- ❖ Low distortion
- ❖ 3U high, 19" wide frame, fit into rack
- ❖ Front panel LED for status monitoring



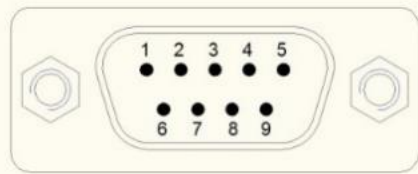
## DESCRIPTION

BRRD16S is the high-power amplifier part of BHE's DAB broadcast solution. It can be operated as a single unit to amplify the whole respective band, or in a cascaded arrangement with the relevant channel selector units (e. g. BRRD14). In the latter case, only the selected channels are amplified. BRRD16S is equipped with one DAB broadcast amplifier with Ethernet control. A single amplifier can serve several channel modules. This unit can be combined with BHE rackmount FM, DAB, VHF and TETRA repeaters fulfilling the various communications needs of special places like tunnels or underground stations.

## SPECIFICATIONS

RF INPUT PARAMETERS	
Number of input ports	1
Frequency bands	174 – 240 MHz
Input VSWR (all inputs)	1.7:1 typ.
RF input level	+16 dBm maximum per input
Nominal input level at max. gain	-15 dBm
RF OUTPUT PARAMETERS	
Number of output ports	1 High power, 1 Low power monitor
Output power, one ensemble	35 dBm @35 dB MER
Output power, composite	29 dBm@ 2 channel, 26 dBm@ 4 channel, ETSI Compliant
Nominal gain	43 dB typical
Gain setting range	0 – 31dB in 1dB steps
Gain flatness	<2 dB
Output IP3	+58 dBm typical
Harmonics	<-80 dBc
Output VSWR	2:1
MECHANICAL PARAMETERS	
Type and number of RF connector	N – females for RFIN, RFOUT, BNC – female for monitoring
Control connectors	RJ45 (LAN) and DSUB-9 male (direct)
Power supply voltage	110 – 240V AC, nominal 230V, 50-60Hz
Power supply connector	IEC C14 male (accessory Plug Type F)
Power consumption	120 W typical, 170 W max.
Dimension	19" 3U (see outline dimensions)
Weight	10.5 kg

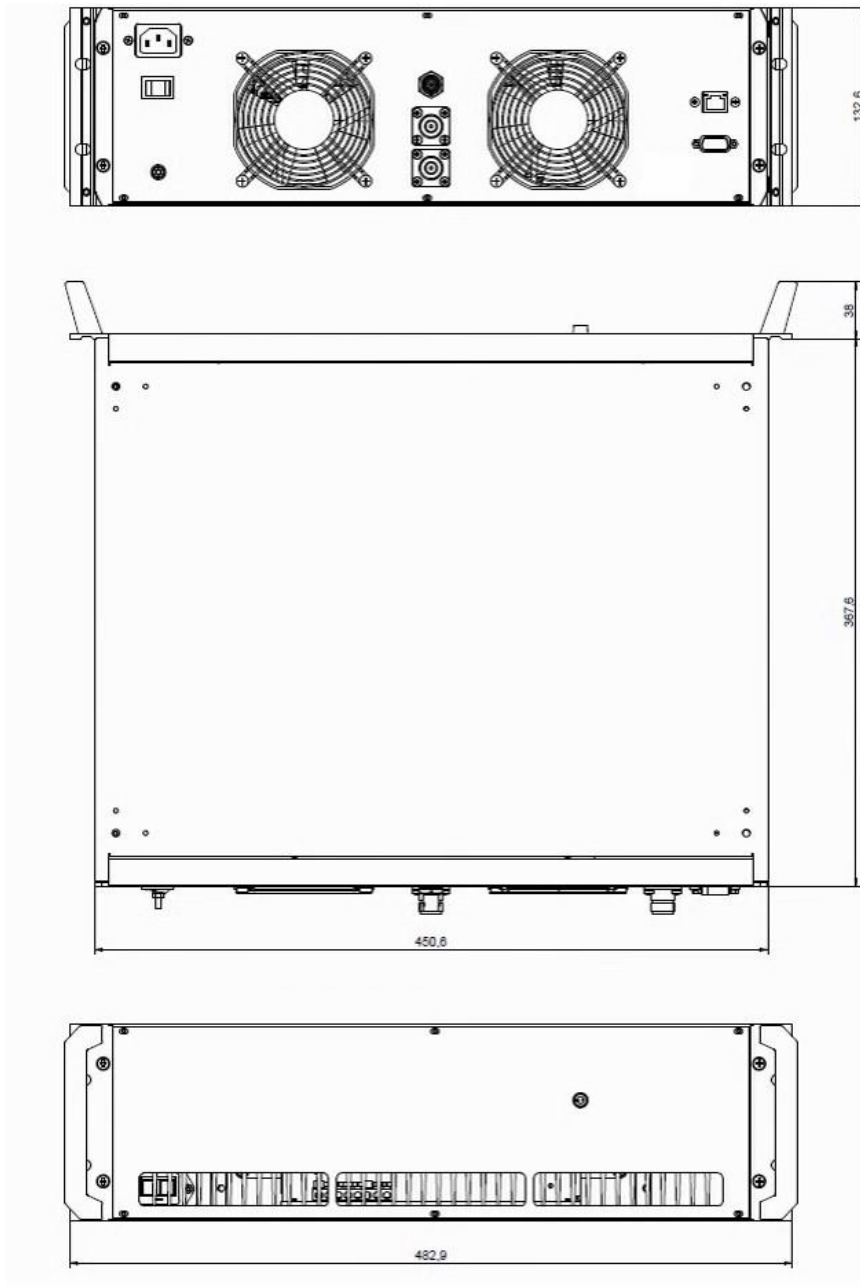
ENVIRONMENTAL PARAMETERS			
Operating temperature range		0 °C ... +50 °C	
Storage temperature range		-30 °C ... +70 °C	
Relative humidity		<75%, non-condensing	
Cooling		Switched forced cooling	
Degree of protection		IP20 Indoor	
SOFTWARE PARAMETERS			
Monitoring & control		Via Ethernet, using SNMP v1/v2c protocol or the web user interface	
Monitored parameters		Forward/reverse output power, internal DC voltages, temperature	
Alarm I/O		Status LED on front panel (two-color), SNMP trap messages, dry contact (summary alarm) output	
Digital inputs		Mute: Active Low, firmware dependent	
Digital outputs		Alarm: Dry contact	
SUM ALARM AND DRY CONTACT CONNECTOR PINOUT (DSUB9 MALE) <sup>(1)</sup>			
Pin no.	Function	Pin no.	Function
1	Dry Contact	6	N.C.
2	Dry Contact	7	N.C.
3	N.C.	8	N.C.
4	Mute In	9	N.C.
5	GND	-	-



Specifications are subject to change without notice.

(1) In POWERED OFF state the relay will be open. The operation of the Dry Contact relay is configurable by the user.

## OUTLINE DRAWING (mm)



## ORDERING INFORMATION

MODEL NUMBER	DESCRIPTION
BRRD16K00246	BRRD16S 10W, 210-240MHz, high power single channel DAB amplifier, 19" subrack

## DOCUMENT REVISION

DOCUMENT NAME	REVISION	DATE
BRRD16-LM-K00246	V01	2023-10-17