

MAIN FEATURES

- ❖ Extended TETRA bandwidth (6,5 MHz)
- ❖ High sensitivity
- ❖ High dynamic range
- ❖ Optional uplink muting
- ❖ Compact size
- ❖ SNMP support



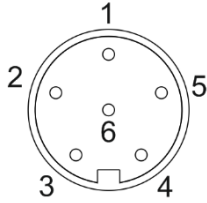
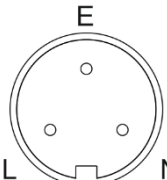
DESCRIPTION

This repeater is intended to be used in 400 MHz TETRA systems. It is a compact and reliable unit which can be effectively used to cover areas that cannot be economically covered by base stations. It is a very economical solution which can be easily installed and can be monitored and controlled locally and remotely via the provided control software.

In order to reduce noise impact on the base station side, uplink muting functionality is available upon customer request.

SPECIFICATIONS

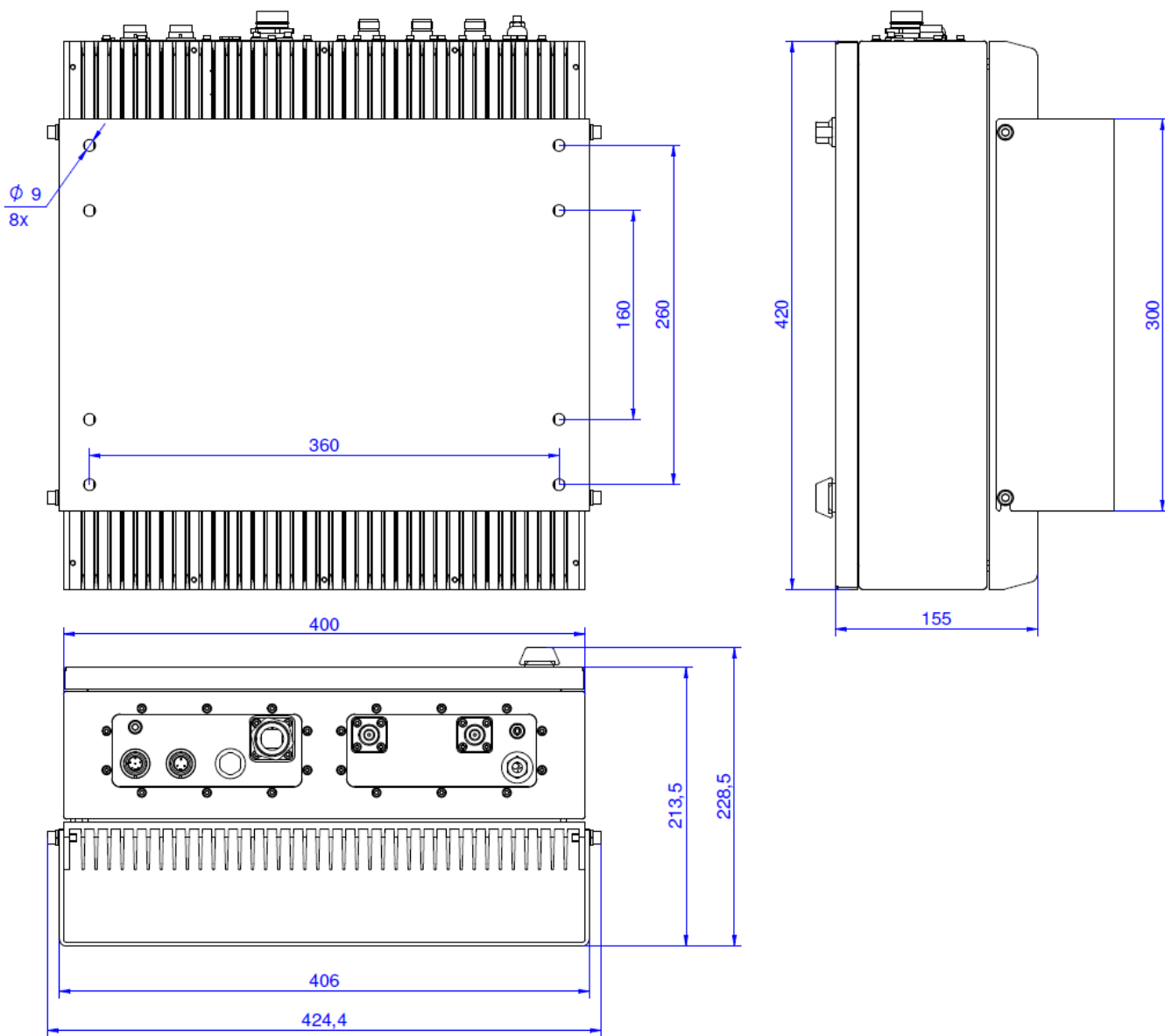
ELECTRICAL PARAMETERS	
Frequency band	Downlink: 390.0 – 396.5 MHz Uplink: 380.0 – 386.5 MHz
Operating frequency bandwidth	6.5 MHz
Mode of operation	Band selective duplex
Linear output power	Downlink: +22 dBm or 2 x 19 dBm (2 carriers) meets ETSI regulation Uplink: +22 dBm or 2 x 19 dBm (2 carriers) meets ETSI regulation
ICP3	Downlink: +49 dBm min. @ 2 x 19 dBm Uplink: +49 dBm min. @ 2 x 19 dBm
ACPR	60 dB @ linear output power
Nominal gain	70 dB
Gain setting range	70 to 40 dB adjustable in 1 dB steps
Gain ripple	<±1.5 dB typical
Gain stability	<±1.5 dB (within operating temperature range)
Uplink input noise figure	<6 dB @ maximum gain
Harmonics	According to the ETSI regulation
Spurious radiation	According to the ETSI regulation
Local leakage	According to the ETSI regulation
EVM	1% typ. (ETSI regulation <10%)
Power supply voltage	230 VAC, 50 – 60 Hz
Power consumption	<60 W
MECHANICAL PARAMETERS	
Type of power supply plug	Type F plug
Type of RF connectors	N – female
Number of RF connectors	2, MOBILE, DONOR
Weight	<23 kg
Dimension	400 x 420 x 155 mm (see outline dimensions)

ENVIRONMENTAL PARAMETERS		
Operating temperature range	0 °C ... +45 °C	
Storage temperature range	-30 °C ... +70 °C	
Cooling	Convection	
Degree of protection	IP65 Outdoor	
SOFTWARE PARAMETERS		
Wired control	Ethernet (SNMP v1 / v2c)	
Alarm I/O	4 external alarm inputs, user configurable sum alarm output (dry contact), SNMP notifications, status LED	
Wireless control (optional)	2G / 4G modem	
EXTERNAL ALARM CONNECTOR PINOUT (BULGIN PX0412/06S)		
Pin no.	Function	
1	External Alarm IN 2	
2	External Alarm IN 3	
3	External Alarm IN 4	
4	N.C.	
5	External Alarm IN 1	
6	External Alarm COMMON	
SUM ALARM CONNECTOR PINOUT (BULGIN PX0412/03S) ⁽¹⁾		
Pin no.	Function	
E	N.C.	
L	Dry Contact	
N	Dry Contact	

Specifications are subject to change without notice.

(1) In POWERED OFF state the relay will be open. The operation of the Dry Contact relay is configurable by the user.

OUTLINE DRAWING (mm)



ORDERING INFORMATION

MODEL NUMBER	DL OUTPUT POWER	GAIN	DONOR PORT	MODEM
BRTM19K10522	22 dBm	70 dB	Combined	
BRTM19K10635	20 dBm	55 dB	Separated	✓

DOCUMENT REVISION

DOCUMENT NAME	REVISION	DATE
BRTM19	V01	2023-03-30