

MAIN FEATURES

- ❖ Very low noise
- ❖ High reliability
- ❖ Weather-proof housing
- ❖ Built in BPF



DESCRIPTION

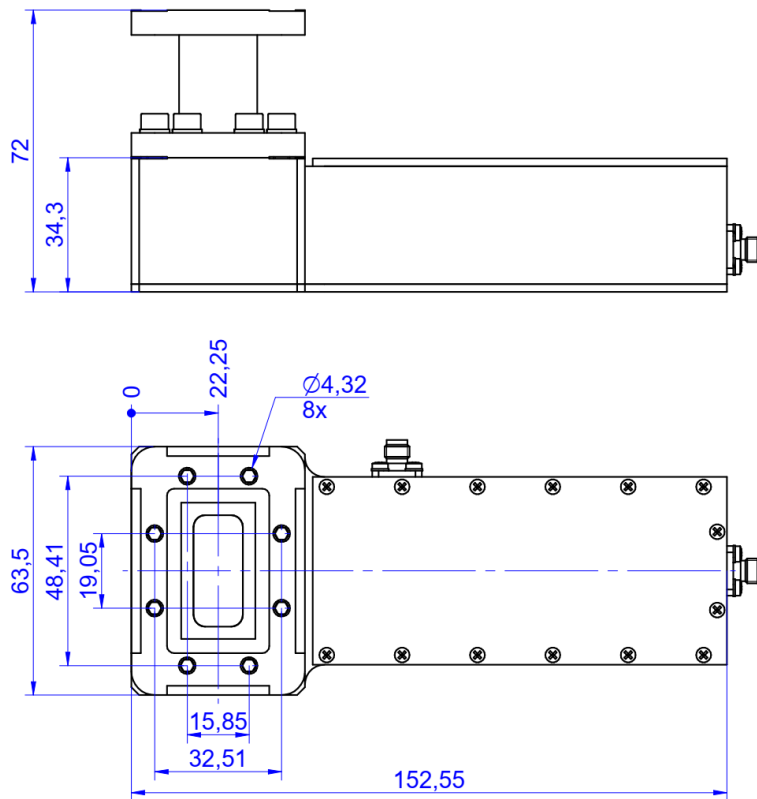
This X-band low noise amplifier is intended for use in modern solid state communications equipment, where high reliability microwave signal amplification and high dynamic range are important factors. Typical applications are in satellite ground station systems. Due to the weather-proof sealing, it can be used effectively in harsh environmental conditions.

SPECIFICATIONS

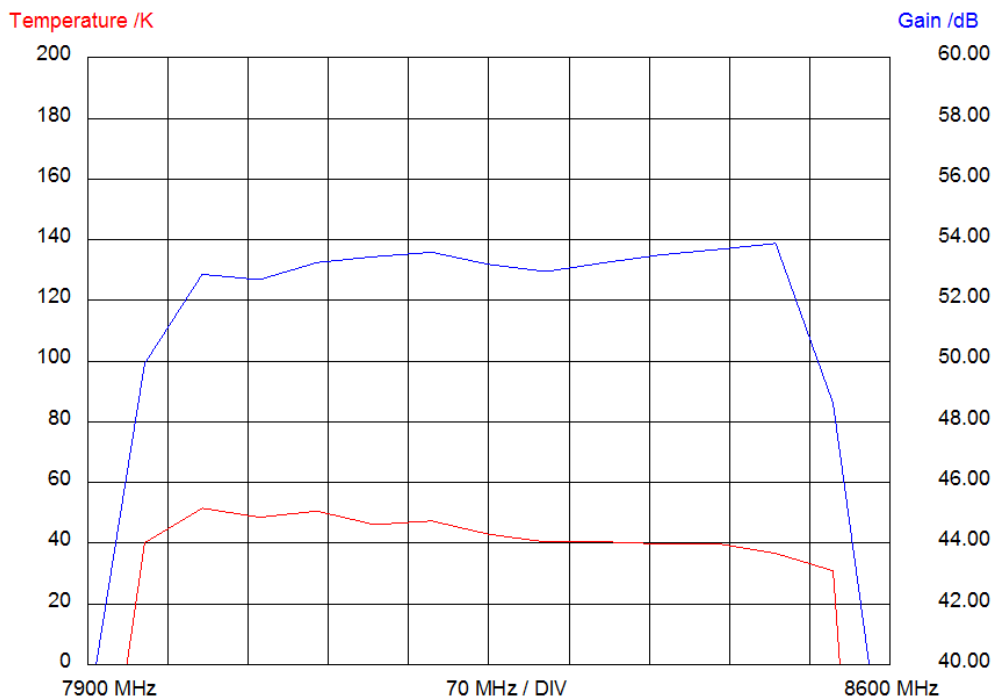
ELECTRICAL PARAMETERS	
Frequency band	8.0 – 8.5 GHz
Linear gain	50 dB min. @ room temperature
Gain flatness	1.5 dB pk-pk in full band 0.5 dB pk-pk in any 50 MHz
Gain stability @ constant temperature	0.4 dB pk-pk / 24 hours
Out of Band Rejection (Compared to Pass Band Gain)	30 dB min. at f <7.8 GHz 30 dB min. at f <8.7 GHz
Input noise temperature (noise figure)	50 K (0.7dB) @ room temperature
1 dB compression	+10 dBm min.
Output 3 rd order intercept point	+20 dBm min.
Input VSWR	1.4 : 1 max.
Output VSWR	1.5 : 1 max.
Group delay variation in full band	1.0 ns pk-pk max.
Power supply voltage	+12 ... +28 VDC
Power consumption	250 mA max. @ +12 VDC
MECHANICAL PARAMETERS	
RF input interface	WR112 (CPR112G)
RF output interface	SMA-Female
DC connector	SMA-Female
Dimensions	152.5 x 72 x 63.5 mm (see outline drawing)
ENVIRONMENTAL PARAMETERS	
Operating temperature range	0°C ... +50°C -20°C ... +60°C (option)
Degree of protection	IP67 Outdoor

Specifications are subject to change without notice.

OUTLINE DRAWING (mm)



TYPICAL TEST DATA (NF & SMALL SIGNAL PARAMETERS)

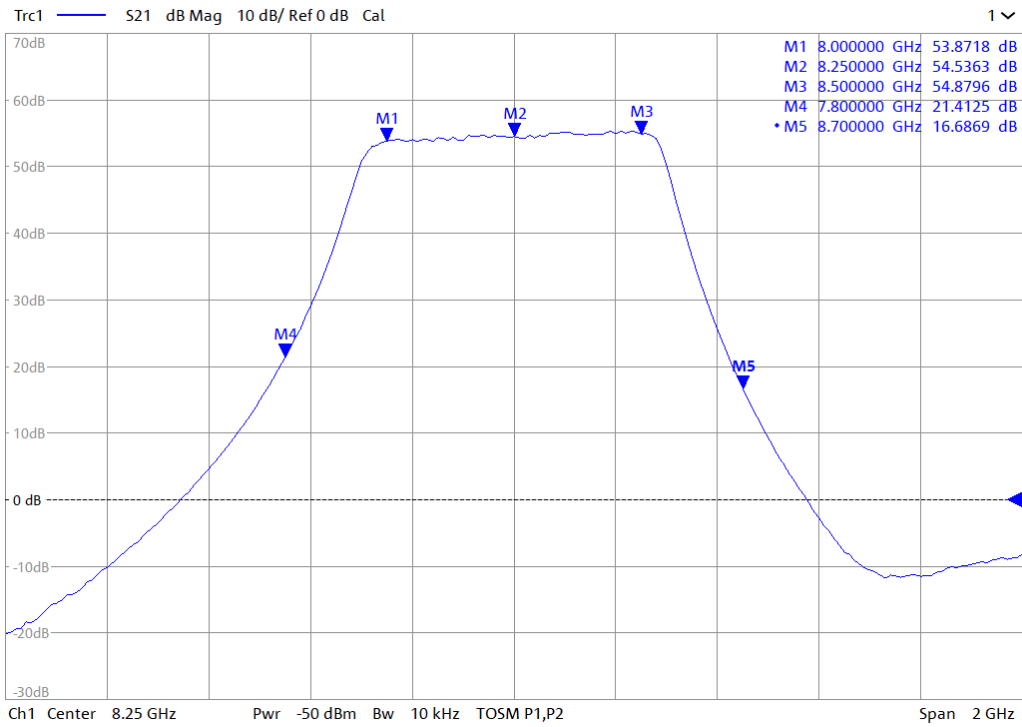


1. Figure **Noise Figure**



BLXW16 X-band Low Noise Amplifier

9/21/2023 2:25:34 PM
1334.333063-100956-05



2. Figure Gain

ORDERING INFORMATION

MODEL NUMBER	DESCRIPTION
K11319BLXW16	BLXW16 X-band 8.0-8.5 GHz low noise amplifier

DOCUMENT REVISION

DOCUMENT NAME	REVISION	DATE
BLXW16-LM-K11319	V01	2023-12-06