

## RADMAIN FEATURES

- ❖ Designed for wireless applications
- ❖ High power directional coupler
- ❖ Low VSWR, insertion loss and PIM
- ❖ High isolation
- ❖ Internal resistive load
- ❖ High reliability
- ❖ Weather-proof housing



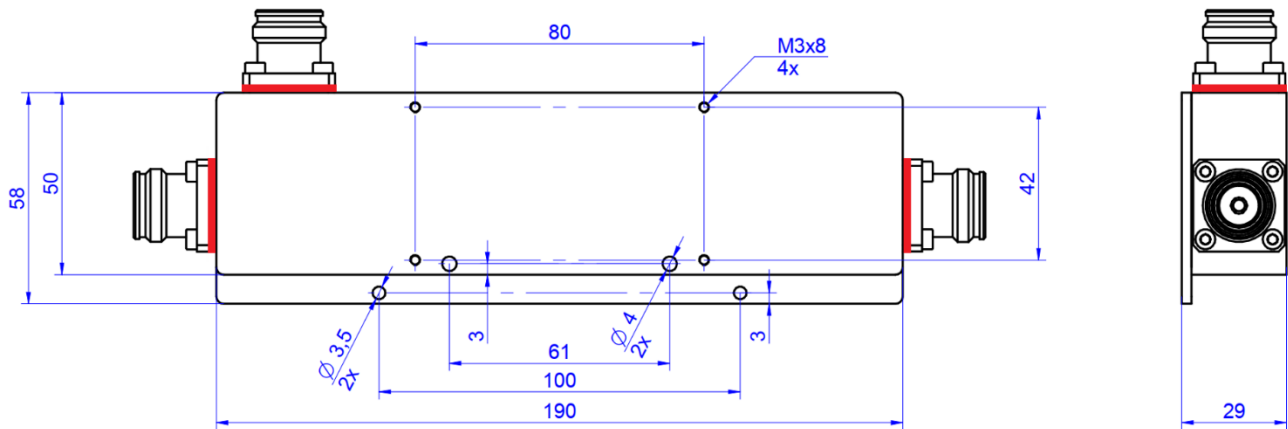
## DESCRIPTION

This broadband coupler has been designed to combine or split signals in common mobile systems. The carefully designed multisection coupled transmission lines provides a broadband frequency range and high power handling. An integrated internal resistive termination ensure 50  $\Omega$  load at one port.

## SPECIFICATIONS

RF PARAMETERS	
Frequency range	380 – 2700 MHz
Nominal coupling	10 dB
Coupling ripple	max. $\pm 1.5$ dB
Dissipation loss	$\leq 0.2$ dB
Return loss @ all ports	$< -21$ dB, max. $-19$ dB
Isolation	$\geq 26$ dB
Measured 3rd order IM products	$\leq -160$ dBc @ 2 x 43 dBm, main port
Impedance	50 $\Omega$
Maximum input power @ main input	300 W
MECHANICAL PARAMETERS	
Connectors	4.3-10 – female
Dimensions (without connectors)	190 x 50 x 29 mm (see outline dimensions)
Colour	Light Grey (RAL 7047)
ENVIRONMENTAL PARAMETERS	
Operating temperature range	$-30$ °C ... $70$ °C
Degree of protection	IP65 (Outdoor)

Specifications are subject to change without notice.

**OUTLINE DRAWING (mm)**

**ORDERING INFORMATION**

MODEL NUMBER	DESCRIPTION
BDEB76K11092	BDEB76 10 dB, 380-2700 MHz, 300 W, directional coupler, 4.3-10 connector

**DOCUMENT REVISION**

DOCUMENT NAME	REVISION	DATE
BDEB76-LM-K11092	V02	2024-02-13