

MAIN FEATURES

- ❖ Designed for wireless applications
- ❖ High power directional coupler
- ❖ Low VSWR, insertion loss and PIM
- ❖ High isolation
- ❖ Internal resistive load
- ❖ High reliability
- ❖ Weather-proof housing



DESCRIPTION

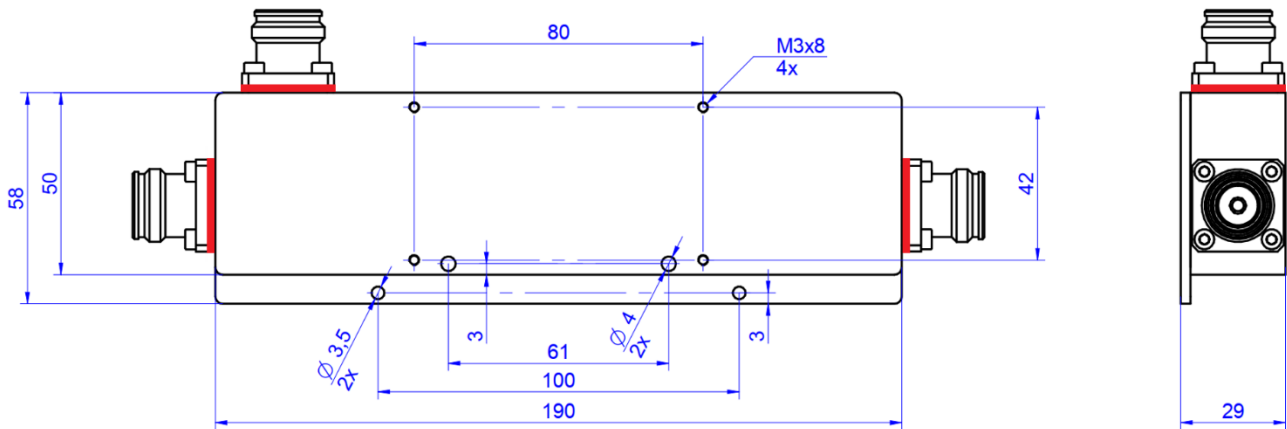
This broadband coupler has been designed to combine or split signals in common mobile systems. The carefully designed multisection coupled transmission lines provides a broadband frequency range and high power handling. An integrated internal resistive termination ensure 50 Ω load at one port.

SPECIFICATIONS

RF PARAMETERS	
Frequency range	380 – 2700 MHz
Nominal coupling	20 dB
Coupling ripple	max. ± 1.6 dB
Dissipation loss	≤ 0.2 dB
Return loss @ all ports	< -21 dB, max. -19 dB
Isolation	≥ 32 dB
Measured 3rd order IM products	≤ -160 dBc @ 2 x 43 dBm, main port
Impedance	50 Ω
Maximum input power @ main input	300 W
MECHANICAL PARAMETERS	
Connectors	4.3-10 – female
Dimensions (without connectors)	190 x 50 x 29 mm (see outline dimensions)
Colour	Light Grey (RAL 7047)
ENVIRONMENTAL PARAMETERS	
Operating temperature range	-30 $^{\circ}\text{C}$... 70 $^{\circ}\text{C}$
Degree of protection	IP65 (Outdoor)

Specifications are subject to change without notice.

OUTLINE DRAWING (mm)



ORDERING INFORMATION

MODEL NUMBER	DESCRIPTION
BDEB77K11276	BDEB77 20 dB, 380-2700 MHz, 300 W, directional coupler, 4.3-10 connector

DOCUMENT REVISION

DOCUMENT NAME	REVISION	DATE
BDEB77-LM-K11276	V02	2024-02-13